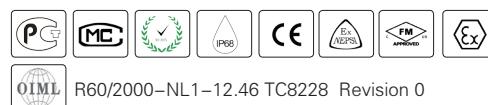


# HM14H1

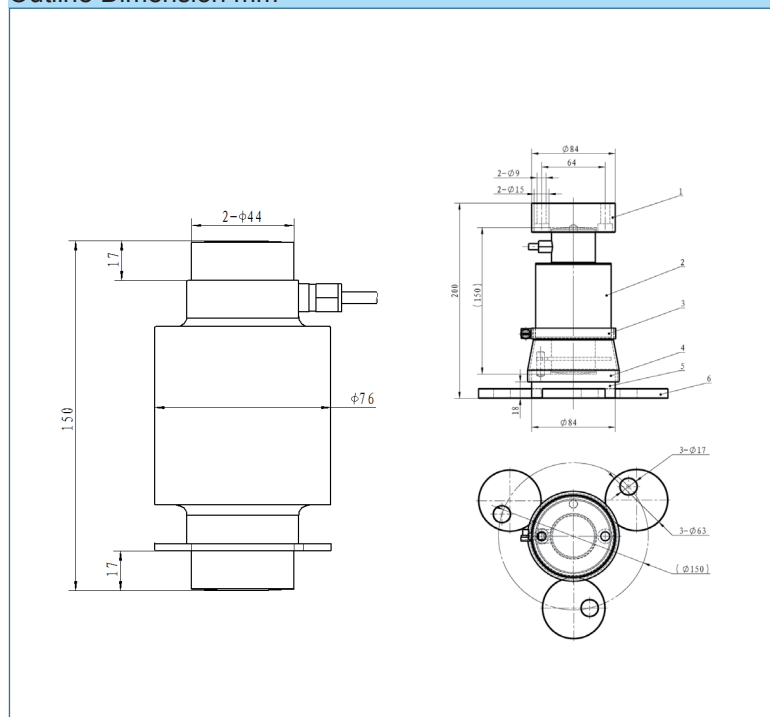
- Alloy steel,hermetically welded, oil-proof,waterproof and anti-corrosion, suitable for all kinds of environments;
- Column structure, anti-reversal design, good, self-aligning ability, suitable for electronic platform scales, automobile testing facilities, hopper scales and other electronic weighing devices.



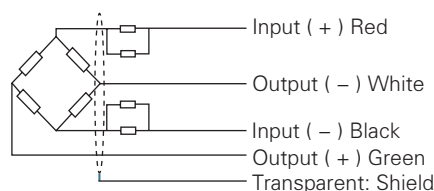
## Specification

Maximum capacity ( E <sub>max</sub> )	t	10/15/20/25/30/40/50/60
Accuracy class		C3
Maximum number of load cell intervals ( nLC )		3000
Ratio of minimum LC verification interval Y = E <sub>max</sub> / V <sub>min</sub>		E <sub>max</sub> /10000
Combined error	%FS	± 0.020
Creep	%FS/30min	± 0.016
Temperature effect on sensitivity	%FS/10°C	± 0.011
Temperature effect on zero	%FS/10°C	± 0.015
Output sensitivity ( = FS )	mV/V	2.0 ± 0.002
Input resistance	Ω	700 ± 7
Output resistance	Ω	703 ± 4
Insulation resistance	MΩ	≥ 5000(50VDC)
Zero balance	%FS	± 1.0
Compensated temperature	°C	-10~+40
Operating temperature	°C	-35~+65
Excitation, recommended voltage	V	5~12(DC)
Excitation maximum	V	18(DC)
Safe overload	of E <sub>max</sub>	150
Ultimate overload	of E <sub>max</sub>	300
Ingress protection (according to EN 60529)		IP68

## Outline Dimension mm



## Wiring



- Cable diameter: Φ5.0 ± 0.2mm 4 wires;
- Standard cable length: 15m.

Part No.	1	2	3	4	5	6
Name	Upper Button	Load Cell	Tube Clip	Dust Cover	Bottom Button	Excentric washers
Qty	1	1	1	1	1	3

### Instruction:

1. The drawing contain load cell HM14H1 and it's accessory HY-14-146;
2. Adjust Part No.4 to insure the distance of 18;make sure that Part No.3 be horizontal and fastened;
3. Adjust Part No.6 according to the circle diameter of the bottom button.